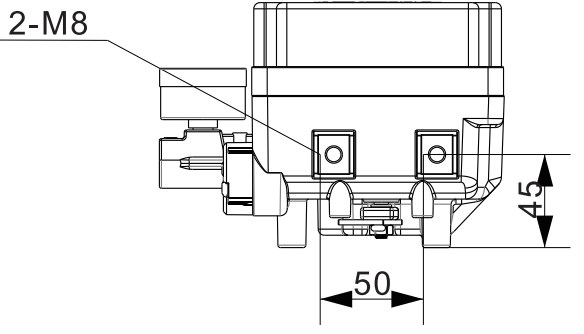
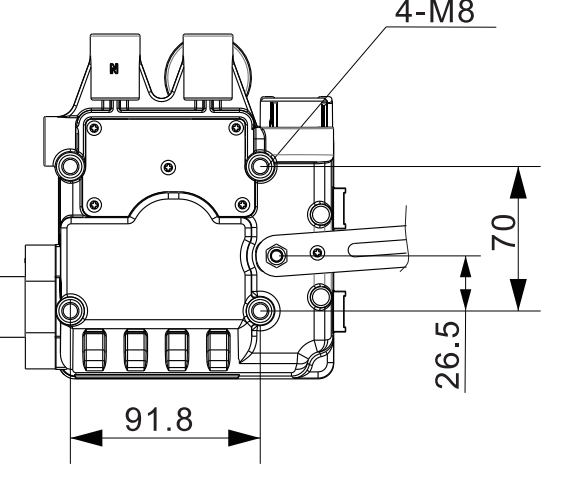
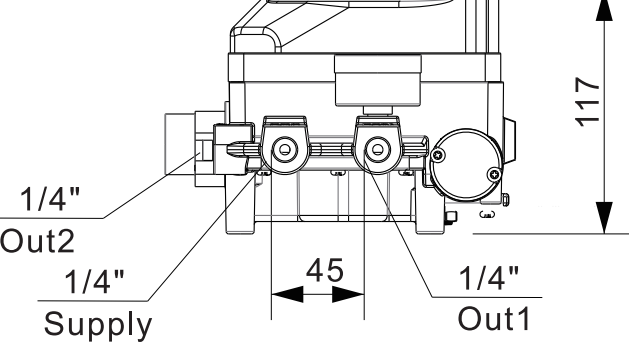
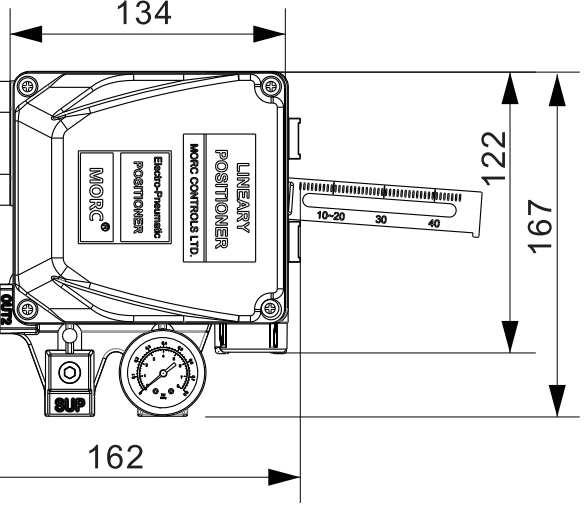


REV.NO.	REVISION DESCRIPTION	DRAWN / DATE	REVIEWED / DATE	APPROVED / DATE
△	FIRST ISSUED	CHKIM/050129		LYH/050129
△				

G1/2"
NPT1/2
M20*1.5
Conduit
Entry



SURFACE TEXTURE		PRODUCT NAME		MORC MORC CONTROLS LTD	
FINISH TREATMENT		MODEL MEP-10			
MATERIAL		PROJECTION	SCALE	DRAWING NO.	
OTHERWISE NOTE	GENERAL TOLERANCE	QUANTITY	SHEET No.		