

1

2

3

4

5

6

A

A

B

B

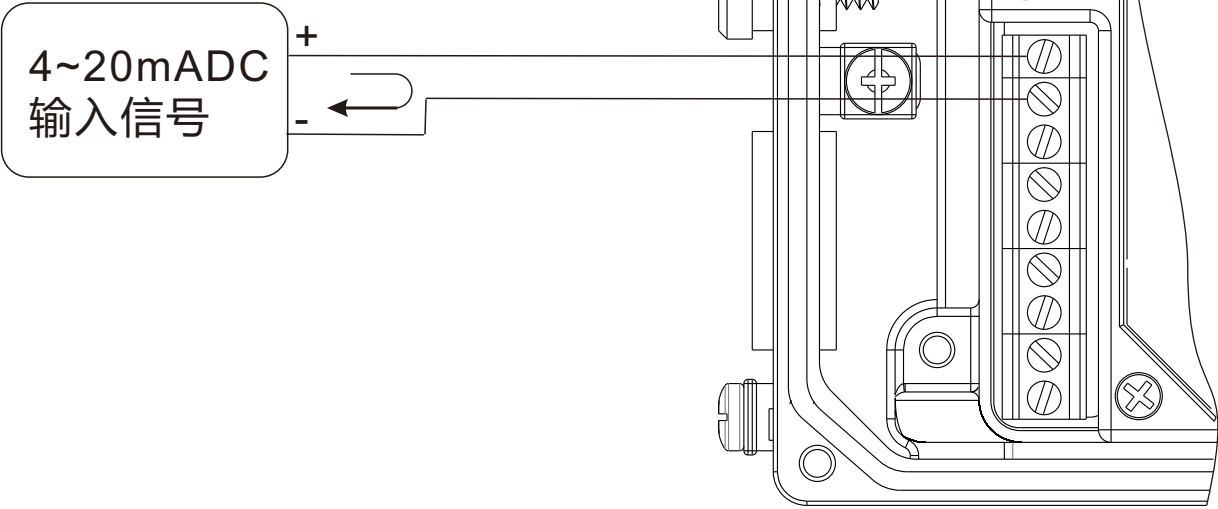
C

C

D

D

REV.NO.	REVISION DESCRIPTION	DRAWN / DATE	REVIEWED / DATE	APPROVED / DATE
△	FIRST ISSUED	CHKIM/050129		LYH/050129
△				



SURFACE TEXTURE		PRODUCT NAME		MORC MORC CONTROLS LTD	
FINISH TREATMENT		MODEL MSP-25			
MATERIAL		PROJECTION	SCALE	DRAWING NO.	
OTHERWISE NOTE	GENERAL TOLERANCE	QUANTITY	SHEET No.		

1

2

3

4

5

6

A4